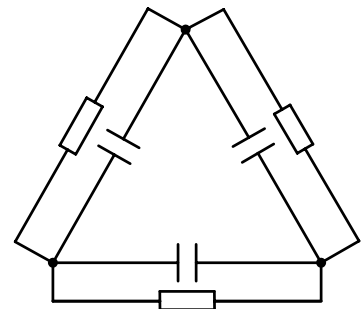
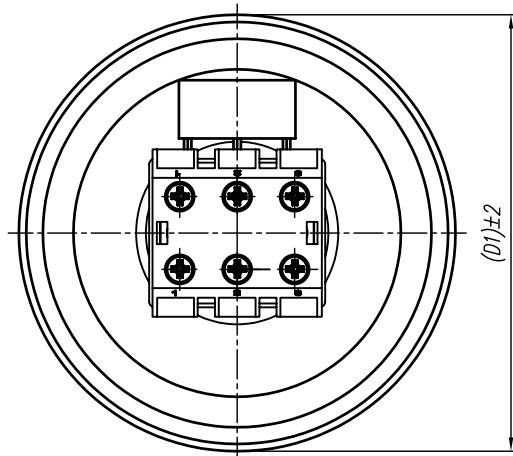
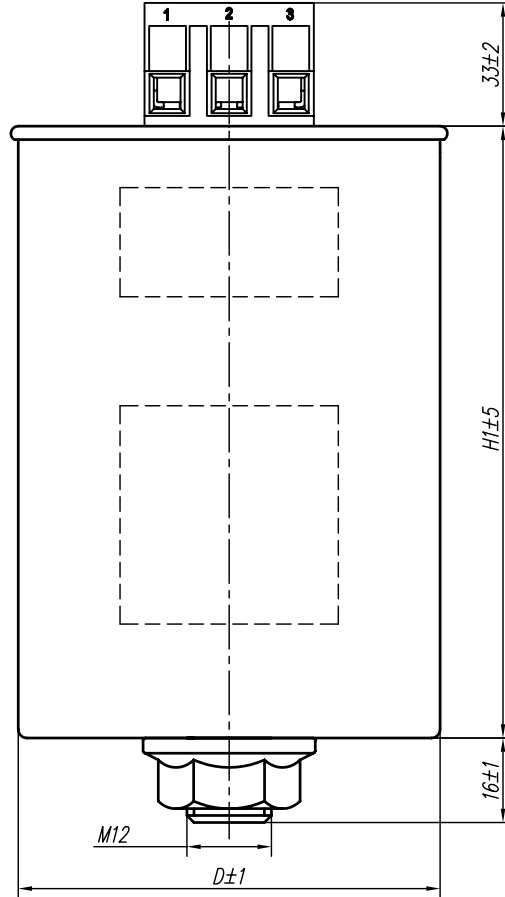


THREE-PHASE POLYPROPYLENE CAPACITORS FOR POWER FACTOR CORRECTION

Version -2(B1)



* - all rights reserved for any possible changes



MIFLEX S.A.

ZAKŁADY PODZESPOŁÓW RADIOWYCH
99-300 KUTNO, ul.GRUNWALDZKA 3
Telefon: +48 24 355 11 00
Fax: +48 24 355 11 88
e-mail: miflexsa@miflex.com.pl



Fundusze Europejskie
Program Regionalny



Unia Europejska
Europejskie Fundusze
Strukturalne i Inwestycyjne



Revision date:
15.06.2020

Page 1 / 3
Edition 7

THREE-PHASE POLYPROPYLENE CAPACITORS FOR POWER FACTOR CORRECTION

TECHNICAL FEATURES:

- Rated voltage: - 440V
- Frequency: - 50Hz or 60Hz
- Rated power: - Q_n @ 50Hz see table page 3
- Q_1+Q_{10} @ 50Hz see table page 3
- Q @ 60Hz multiplied by a factor $1,2 \times Q$ @ 50Hz
- Capacitance tolerance: - -5...+ 10%,
- Life expectancy: ->100000h cat.D and >120000h cat.C
- Temperature class: - -25°C ... + 55°C (-25/D)
- during 24h $\leq 45^\circ\text{C}$
- during 1year $\leq 35^\circ\text{C}$
- -40°C ... +70°C
- Storage temperature: - metallized polypropylene film,
- Dielectric: - PUR (oil),
- Filling: - continuous,
- Type of work: - delta,
- Connection: - external,
- Discharge resistor: - ≤ 3 min. to 75V,
- Discharge time: - $\leq 0,2$ W/kvar
- Losses: - dielectric: - $\leq 0,5$ W/kvar,
- total:
- Test voltage: - between terminals: - $2,15 \times U_n/50\text{Hz} - 10\text{s}$,
- between terminals and housing : - $3,6\text{kV} / 50\text{Hz} - 10\text{s}$,
- Housing: - aluminium,
- Humidity class: - C,
- Permitted overvoltages: - $1,1 \times U_n$ (8h in every 24h)
- $1,3 \times I_n$,
- Max inrush current: - $100 \times I_n$,
- Number of switches per year: - ≤ 5000 acc. z EN 60831-1
- Max du/dt: - $\leq 30\text{V}/\mu\text{s}$
- Safety: - self-healing, overpressure disconnecter,
dimension with overpressure device activated increases by 20mm
- Cooling: - natural or force
- Mounting position: - vertical,
- Installation: - inside, altitude $\leq 2000\text{m}$,
- Protection degree: - version 2(B1) - IP20,
- PCB-free
- Standards: - EN 60831-1/2 and ICE 60831-1/2,
- This product fulfils the requirements of the RoHS Directive (2011/65/EC).
- Terminals: - 3x M5, max torque 3Nm,
- Fixing: - M12, max torque 12Nm.
- Capacitors are not intended to be connected directly to exposed installations.

* - all rights reserved for any possible changes



MIFLEX S.A.

ZAKŁADY PODZESPOŁÓW RADIOWYCH
99-300 KUTNO, ul.GRUNWALDZKA 3
Telefon: +48 24 355 11 00
Fax: +48 24 355 11 88
e-mail: miflexsa@miflex.com.pl



Fundusze Europejskie
Program Regionalny



Unia Europejska
Europejskie Fundusze
Strukturalne i Inwestycyjne



Revision date:
15.06.2020

Page 2 / 3
Edition 7

THREE-PHASE POLYPROPYLENE CAPACITORS FOR POWER FACTOR CORRECTION

Rated voltage	Rated power	Rated capacitance	Rated current	Dimensions		Weight	Code
Un @ 50Hz [V]	Qn @ 50Hz [kVar]	C [μF]	In @ 50Hz [A]	H1 ¹⁾ [mm]	D±1/D1±2 [mm]	m [kg]	[-]
440	5	3x27,4	6,6	170	76/80	0,9	I130X050J-B1
	7,5	3x41,1	9,8	170	96/100	1,3	I130X075J-B1
	10	3x54,8	13,1	210	96/100	1,6	I130X100J-B1
	12,5	3x68,5	16,4	245	96/100	1,8	I130X125J-B1
	15	3x82,2	19,7	245	96/100	1,8	I130X150J-B1
	20	3x109,6	26,2	210	116/121	2,3	I130X200J-B1
	25	3x137,0	32,8	245	116/121	2,7	I130X250J-B1

Version	In [A]	Minimum cable cross-section suggested for phase [mm ²]
2(B1)	≤7	2,5
	≤14	4
	≤22	6
	≤29	10
	≤43	16
	≤58	25
	≤72,5	35

Un	Cn	In	Qn	D ±1	H ±5	Q1 [kvar]	Q2 [kvar]	Q3 [kvar]	Q4 [kvar]	Q5 [kvar]	Q6 [kvar]	Q7 [kvar]
[V]	[μF]	[A]	[kvar]	[mm]	[mm]	230V	400V	415V	425V	440V	480V	525V
440	3x 27,4	6,6	5,0	76	170	1,4	4,1	4,4	4,7	5,0	-	-
	3x 41,1	9,8	7,5	96	170	2,0	6,2	6,7	7,0	7,5		
	3x 54,8	13,1	10,0	96	210	2,7	8,3	8,9	9,3	10,0		
	3x 68,5	16,4	12,5	96	245	3,4	10,3	11,1	11,7	12,5		
	3x 82,2	19,7	15,0	96	245	4,1	12,4	13,3	14,0	15,0		
	3x 109,6	26,2	20,0	116	210	5,5	16,5	17,8	18,7	20,0		
	3x 137,0	32,8	25,0	116	245	6,8	20,7	22,2	23,3	25,0		

* - all rights reserved for any possible changes

1) - dimension with overpressure device activated increases by 20mm



MIFLEX S.A.

ZAKŁADY PODZESPOŁÓW RADIOWYCH
99-300 KUTNO, ul.GRUNWALDZKA 3

Telefon: +48 24 355 11 00

Fax: +48 24 355 11 88

e-mail: miflexsa@miflex.com.pl



Fundusze Europejskie
Program Regionalny



Unia Europejska
Europejskie Fundusze
Strukturalne i Inwestycyjne



Revision date:
15.06.2020

Page 3 / 3
Edition 7